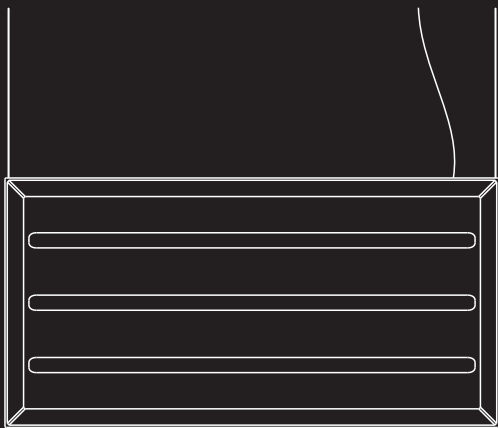


# DIADE

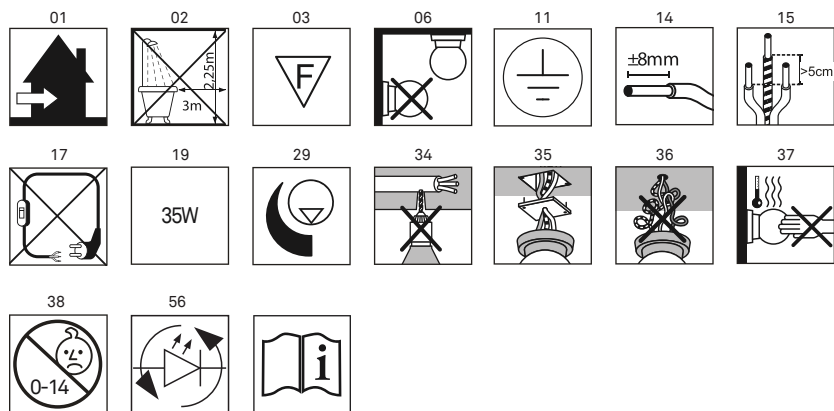
design Monica Armani



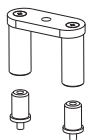
**LUCE  
PLAN**



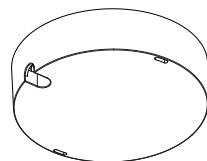
## D93



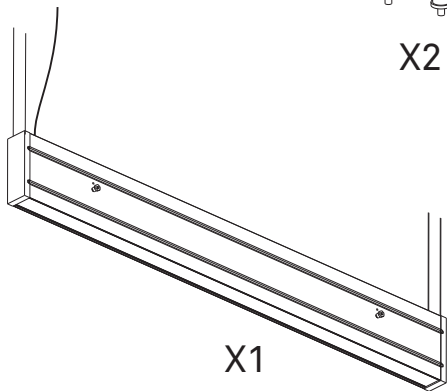
D93SDDC  
D93SDIC  
D93SFIC



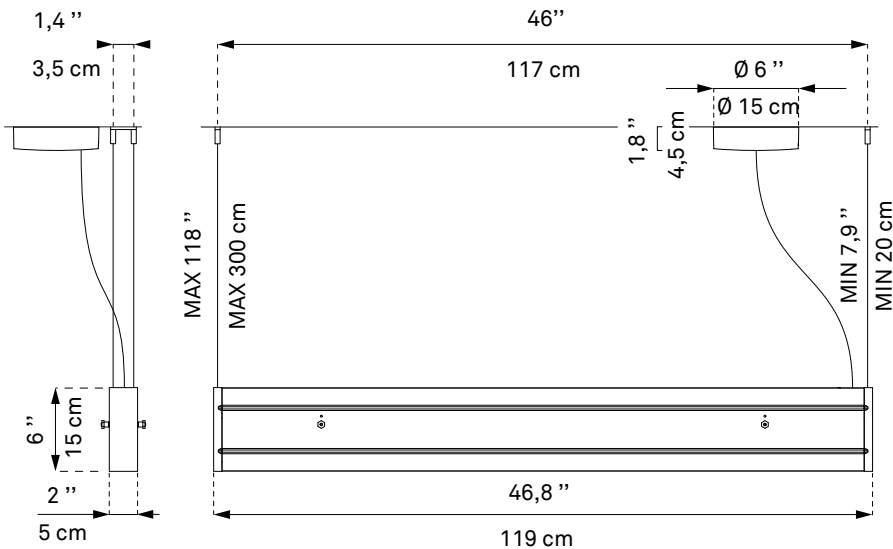
X2



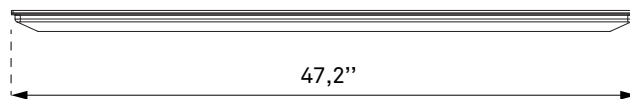
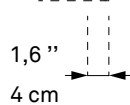
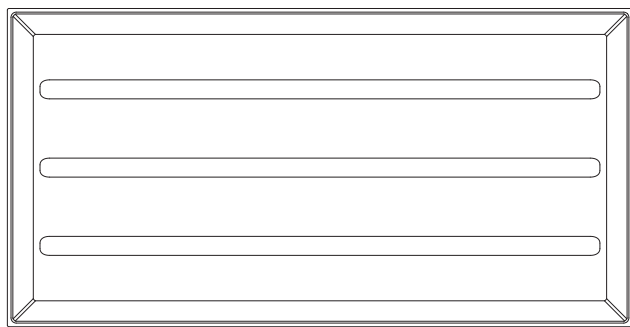
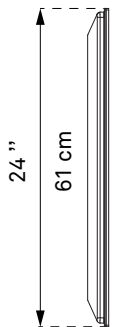
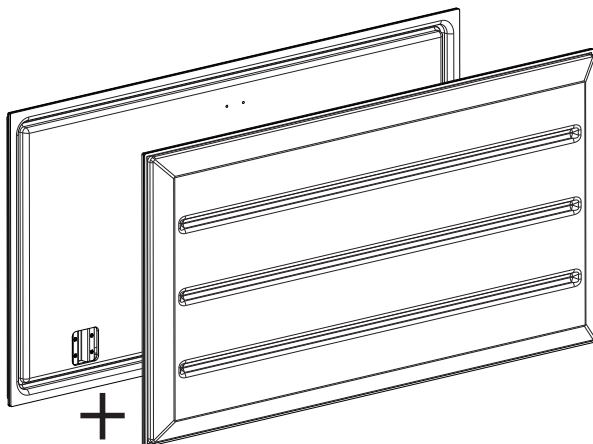
X1



X1



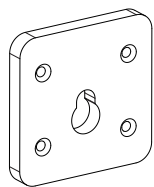
D93/1



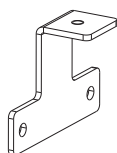
120 cm

---

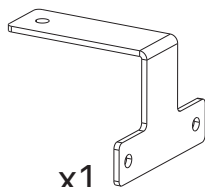
## D93/5



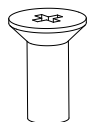
x4



x1



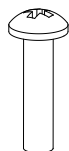
x1



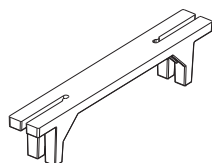
x16



x1



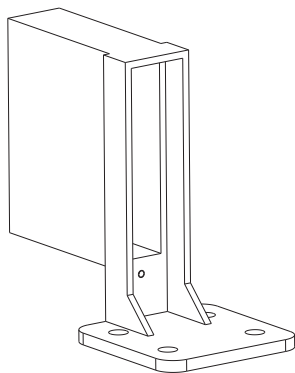
x4



x2

---

## D93/6



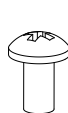
X4

+

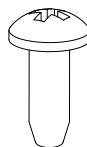


X4

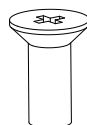
+



X4

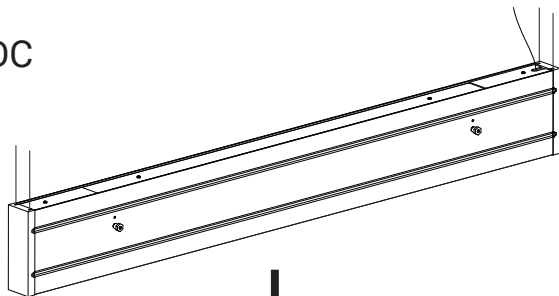


X4



X16

D93SDDC



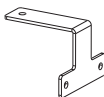
D93/5



x4



x2



x1



x16



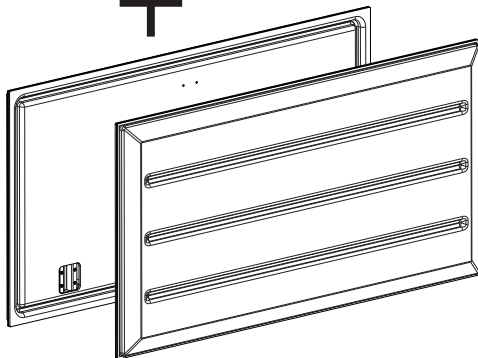
x4

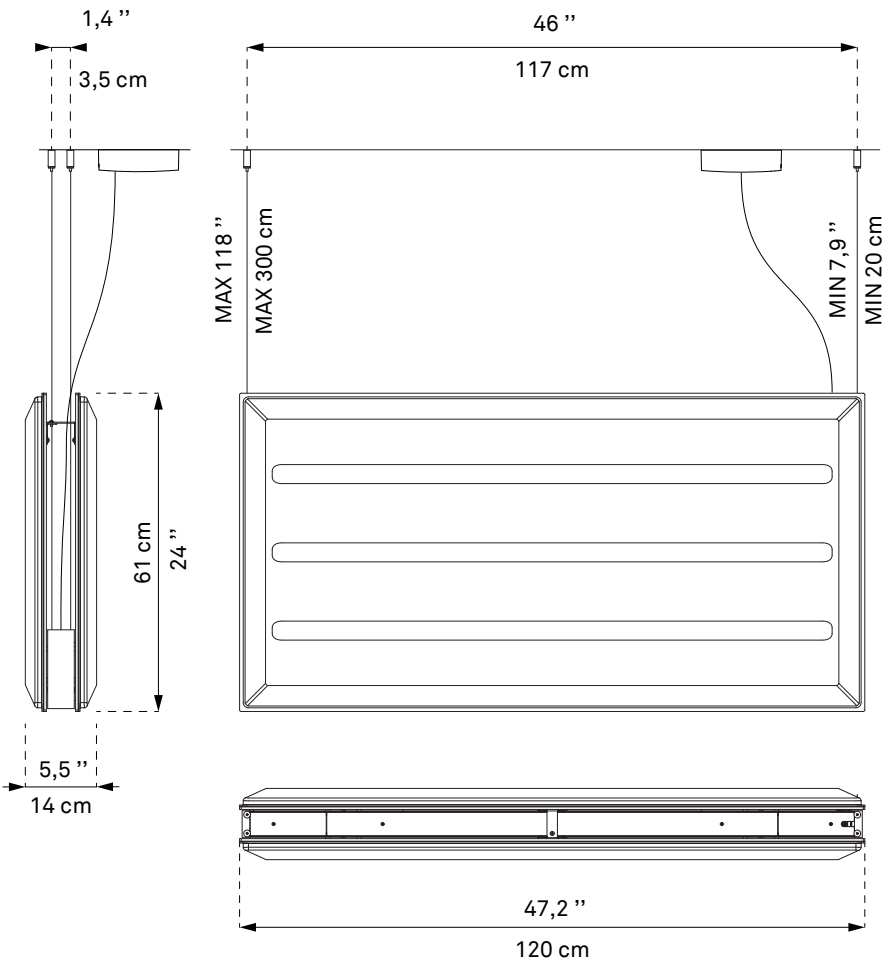


x1



D93/1

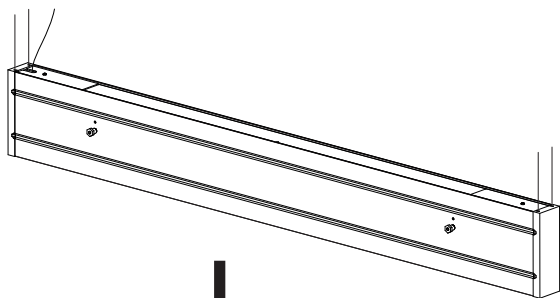




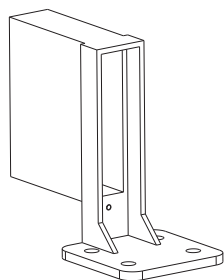
kg 16 kg

lb 35,3 lb

D93SDIC  
D93SFIC



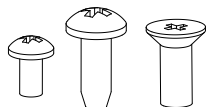
D93/8



x4



x4



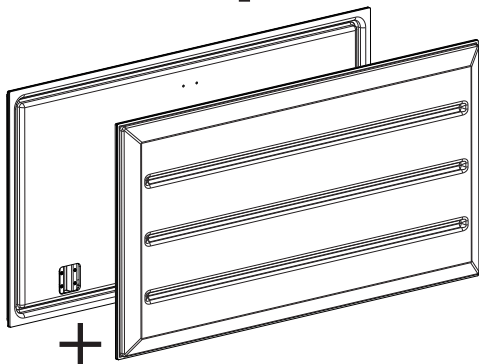
x4

x4

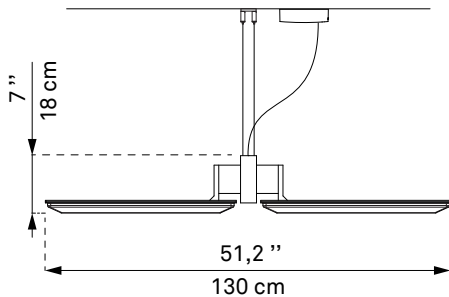
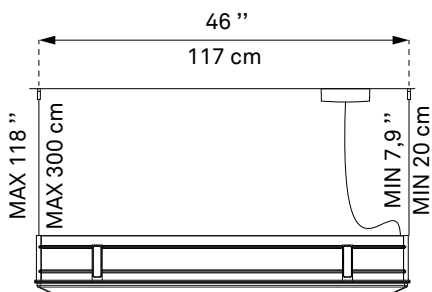
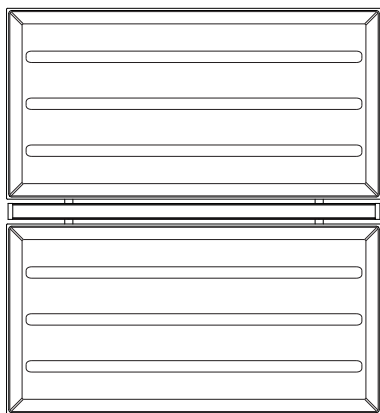
x16



D93/3







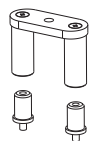
kg 16 kg

lb 35,3 lb

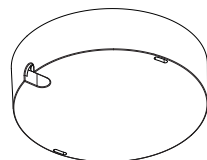
D93SDDL

D93SDIL

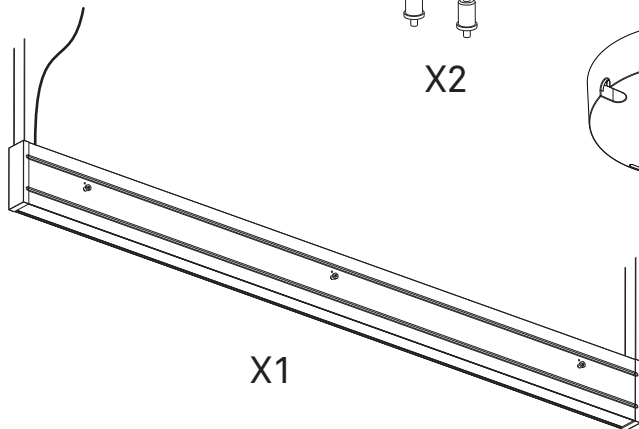
D93SFIL



X2



X1



X1

1,4''

3,5 cm

68''

173 cm

Ø 6''

Ø 15 cm

1,8''

4,5 cm

MAX 118''

MAX 300 cm

MIN 7,9''

MIN 20 cm

6''  
15 cm

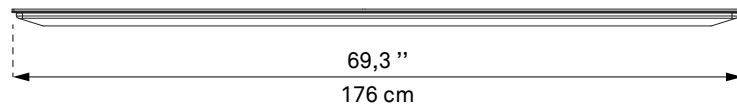
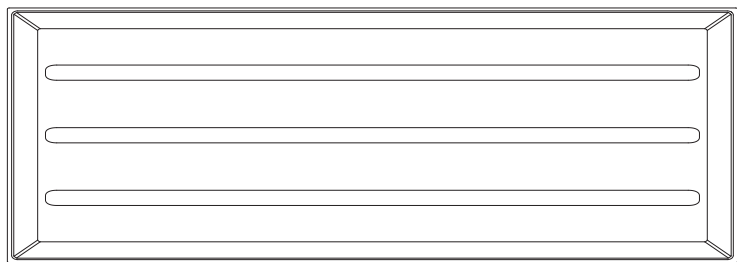
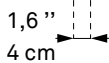
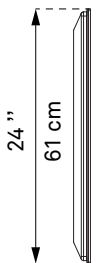
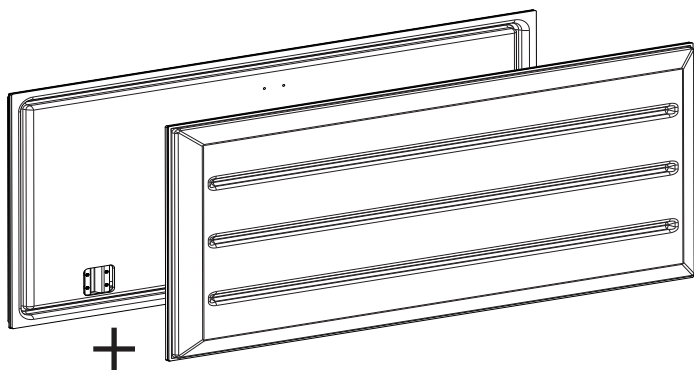
2''

5 cm

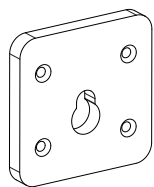
68,9''

175 cm

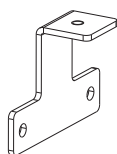
D93/3



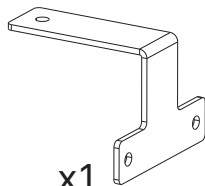
## D93/7



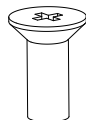
x6



x1



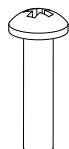
x1



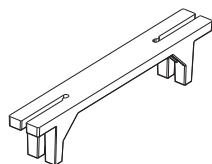
x24



x1

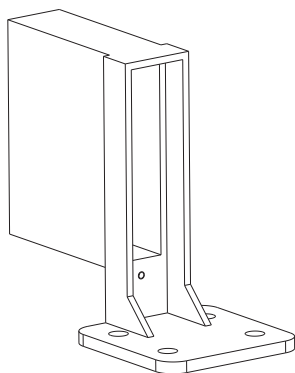


x4



x2

## D93/8



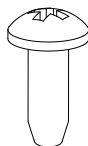
X6



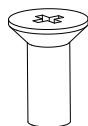
X6



X6

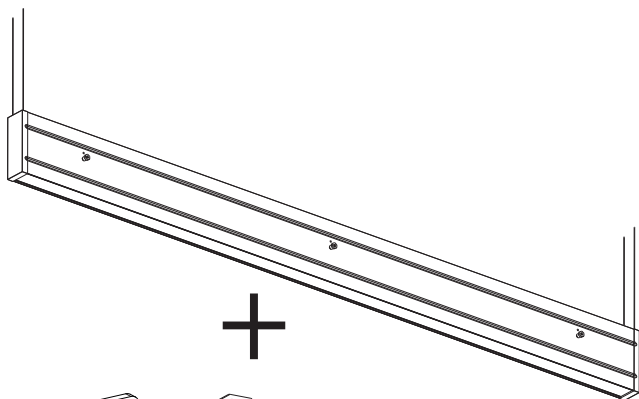


X6



X24

D93SDDL



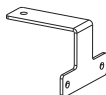
D93/6



x6



x2



x1



x24



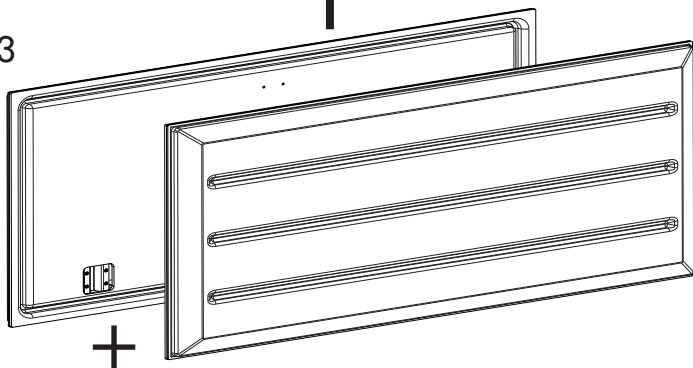
x4

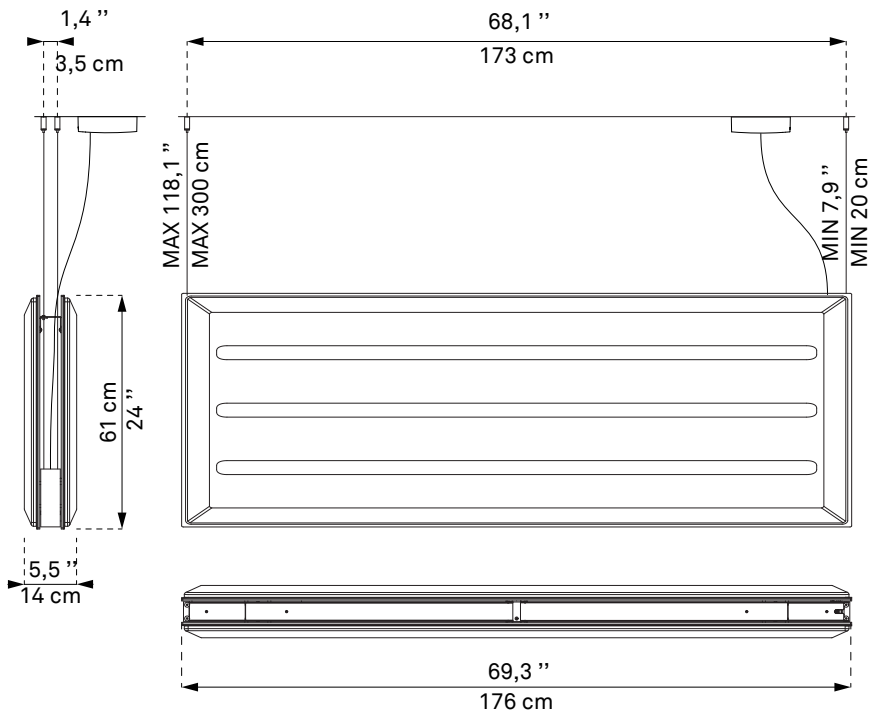


x1



D93/3

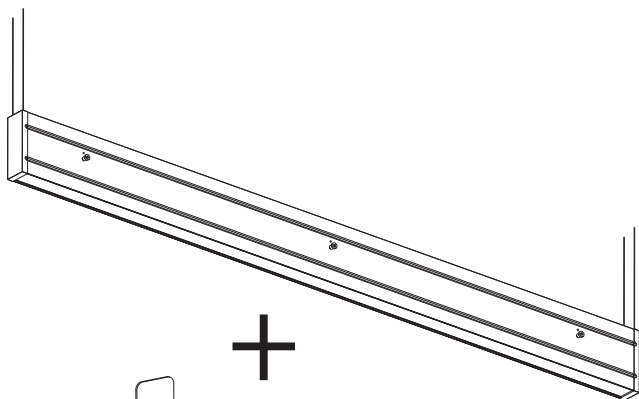




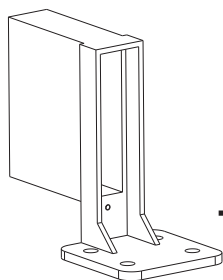
kg 22,5 kg

lb 49,6 lb

D93SDIL  
D93SFIL



D93/8



x6



x6



x6



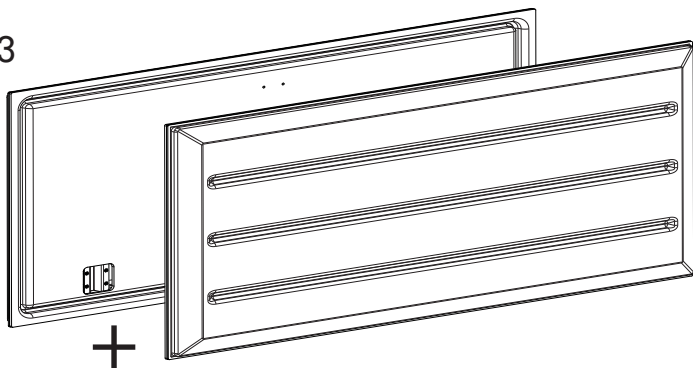
x6

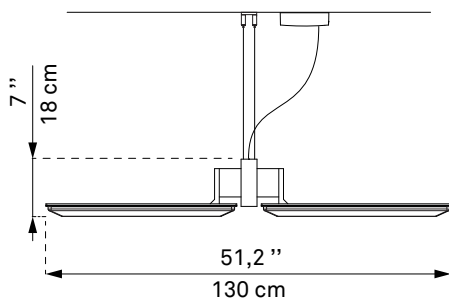
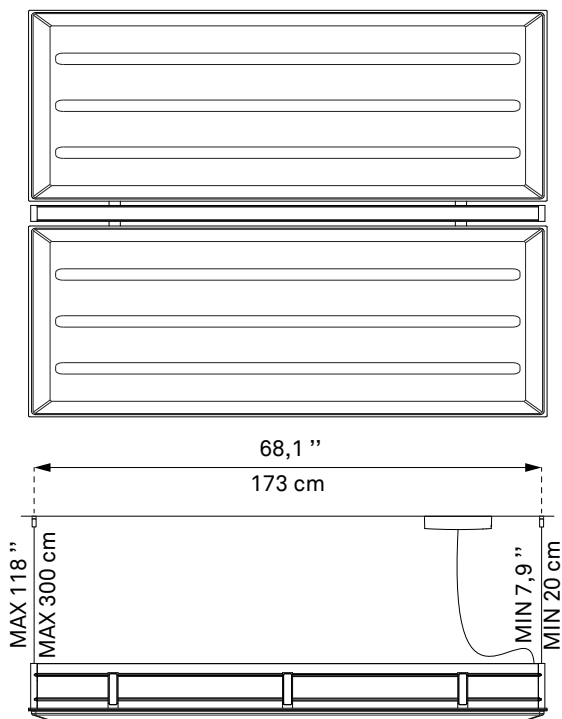


x24



D93/3

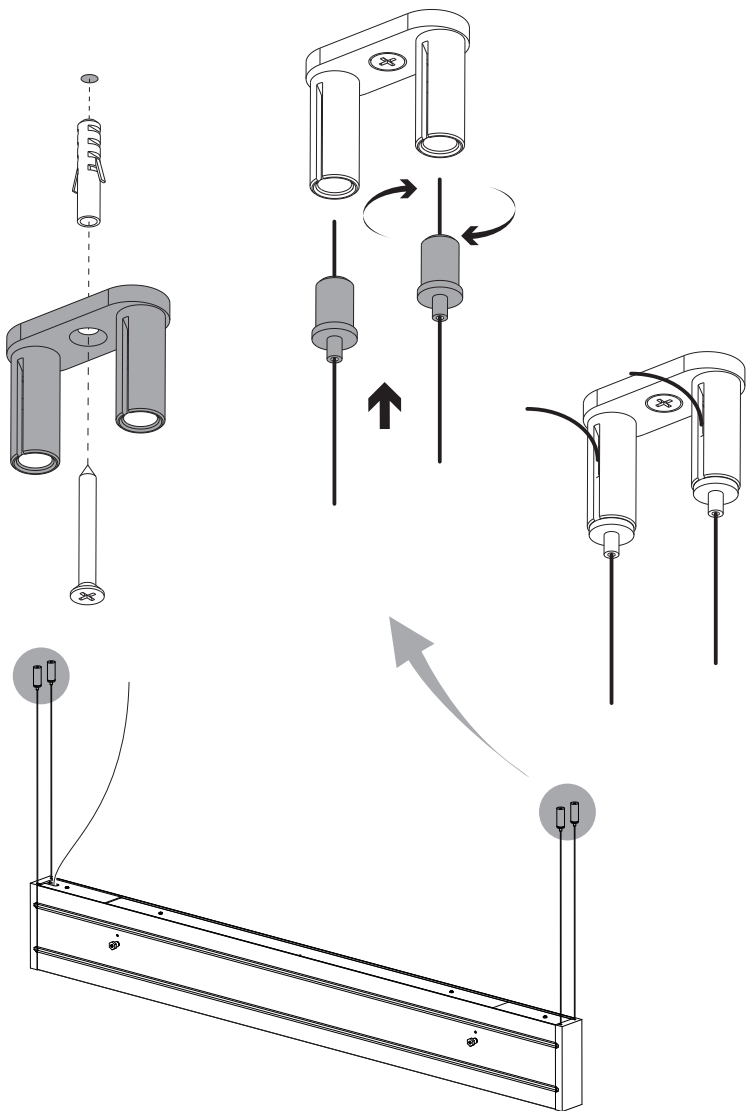


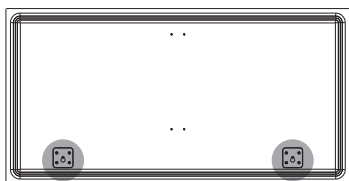
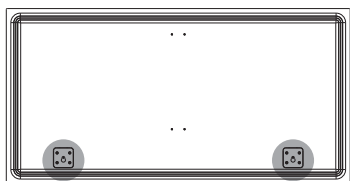


kg 22,5 kg

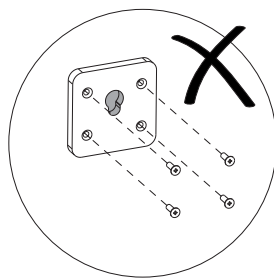
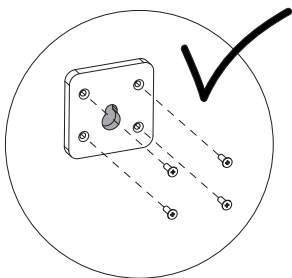
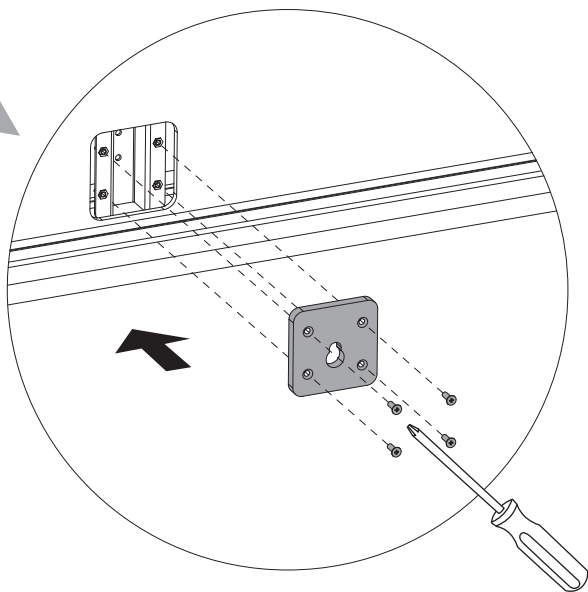
lb 49,6 lb



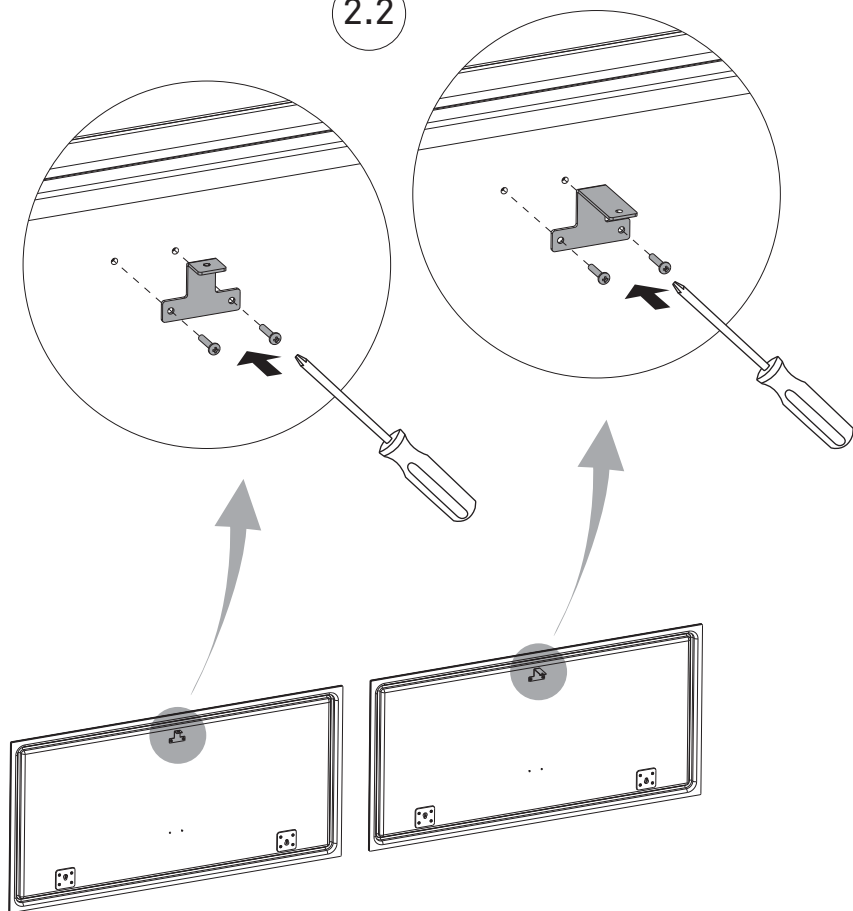


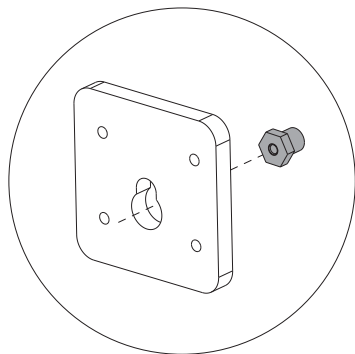
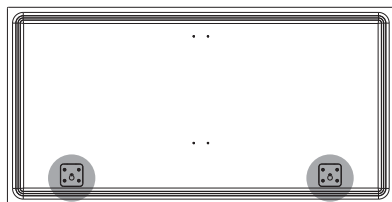
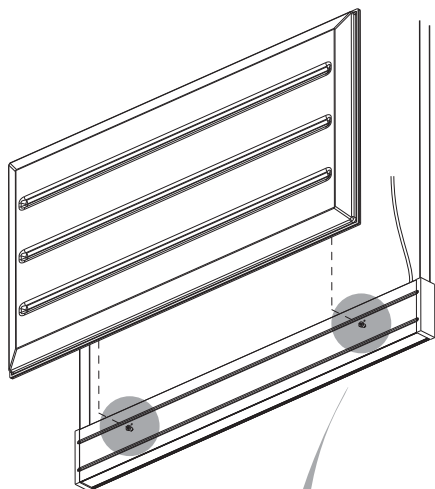


2.1

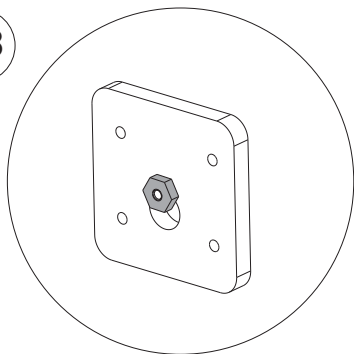


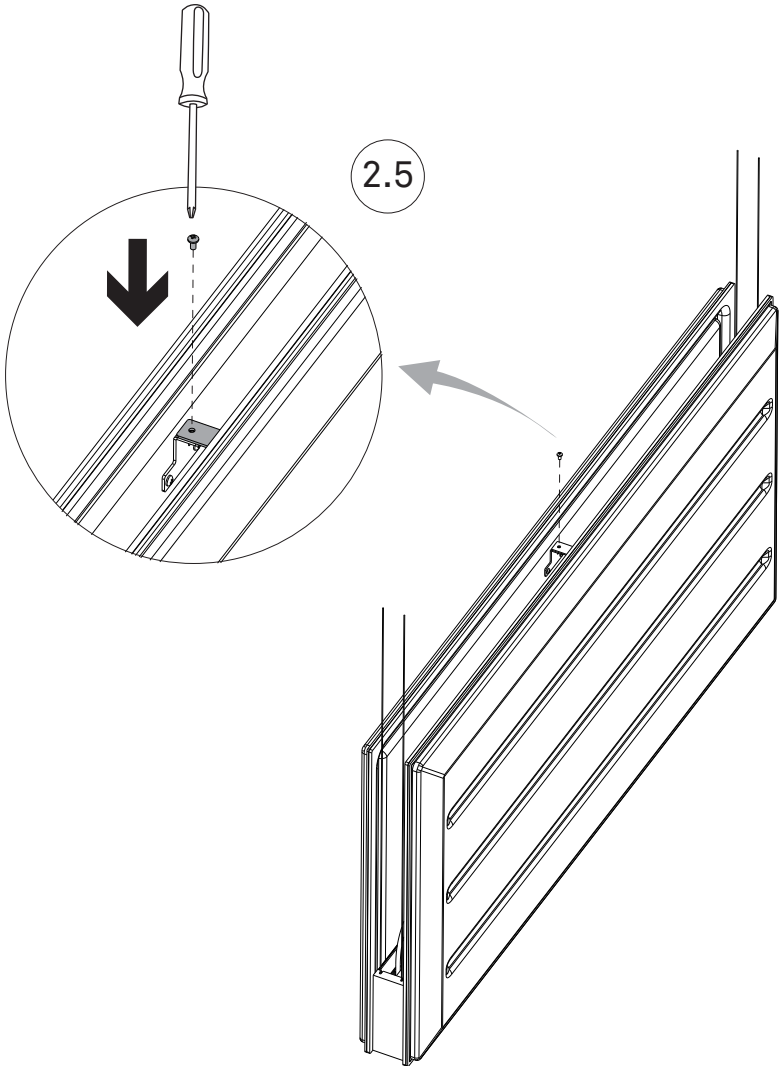
2.2

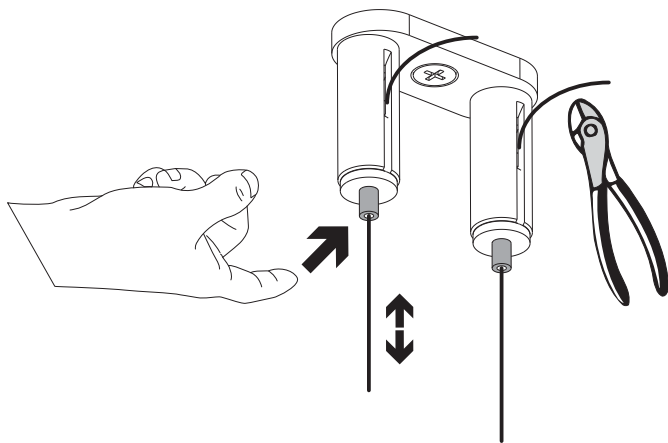
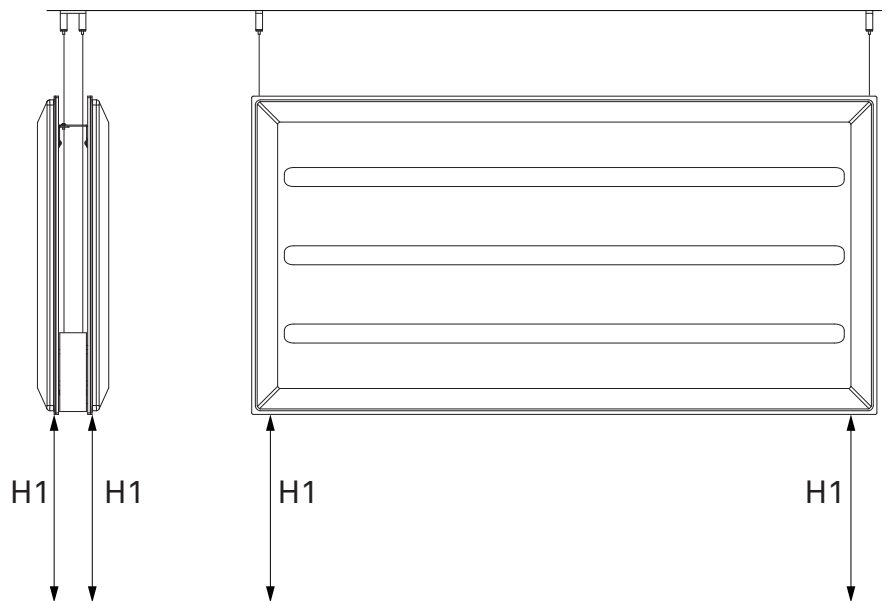


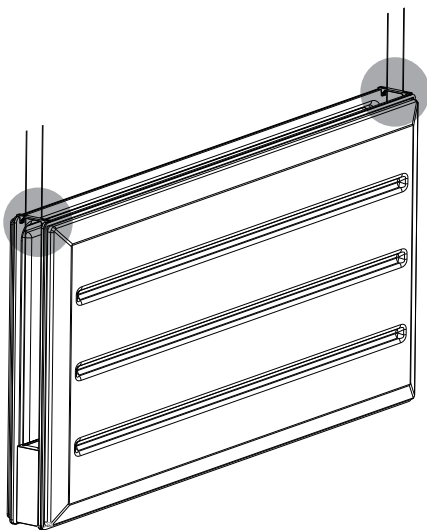
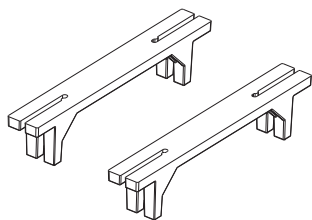
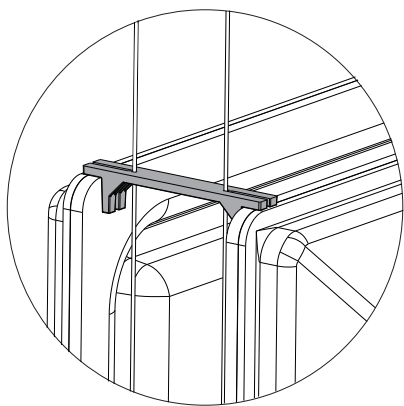


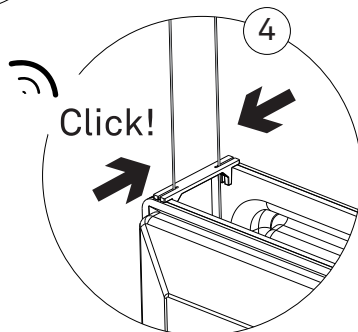
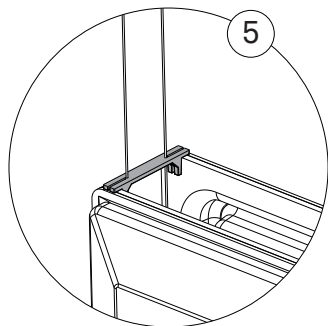
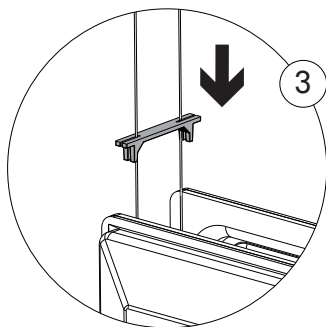
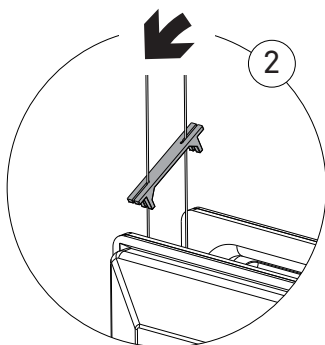
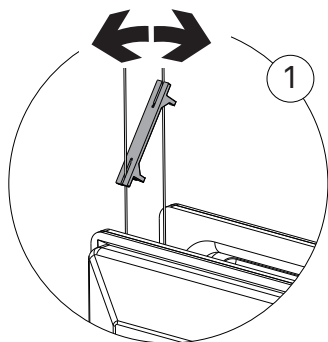
2.3



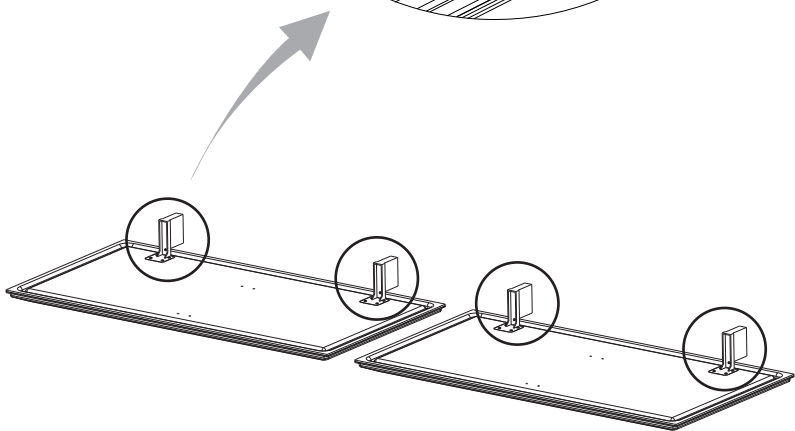
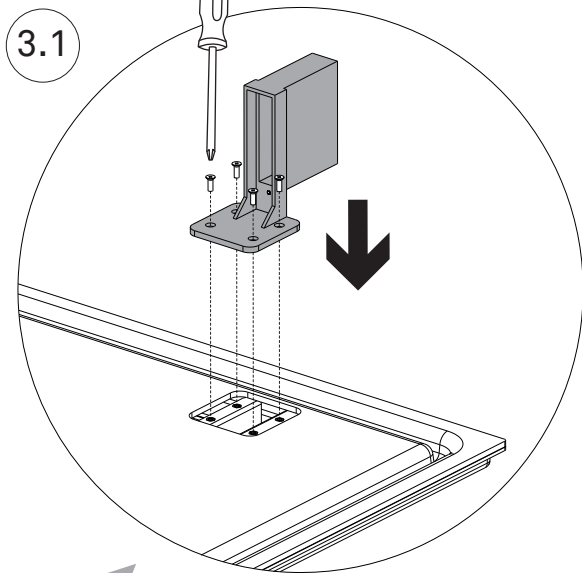


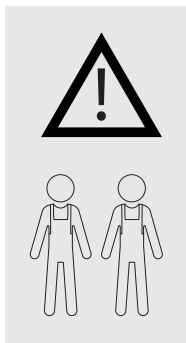
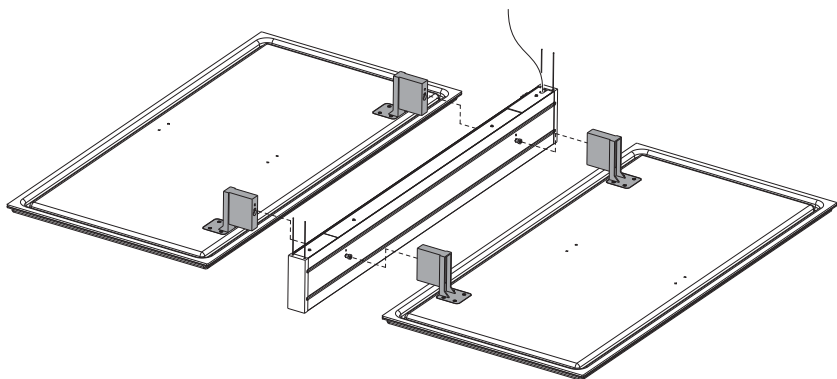




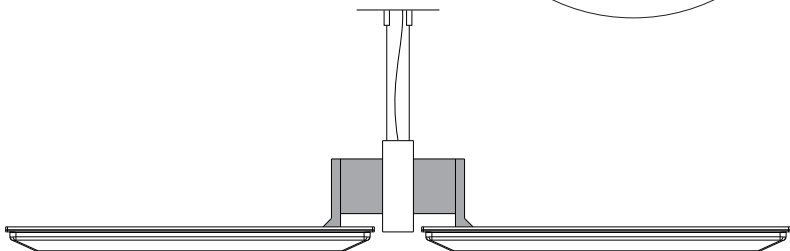
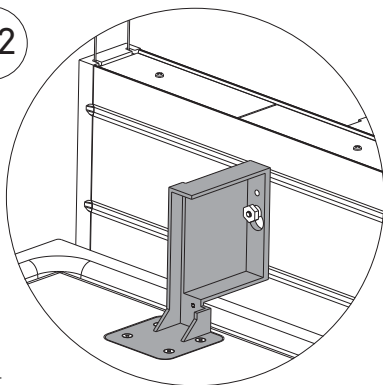


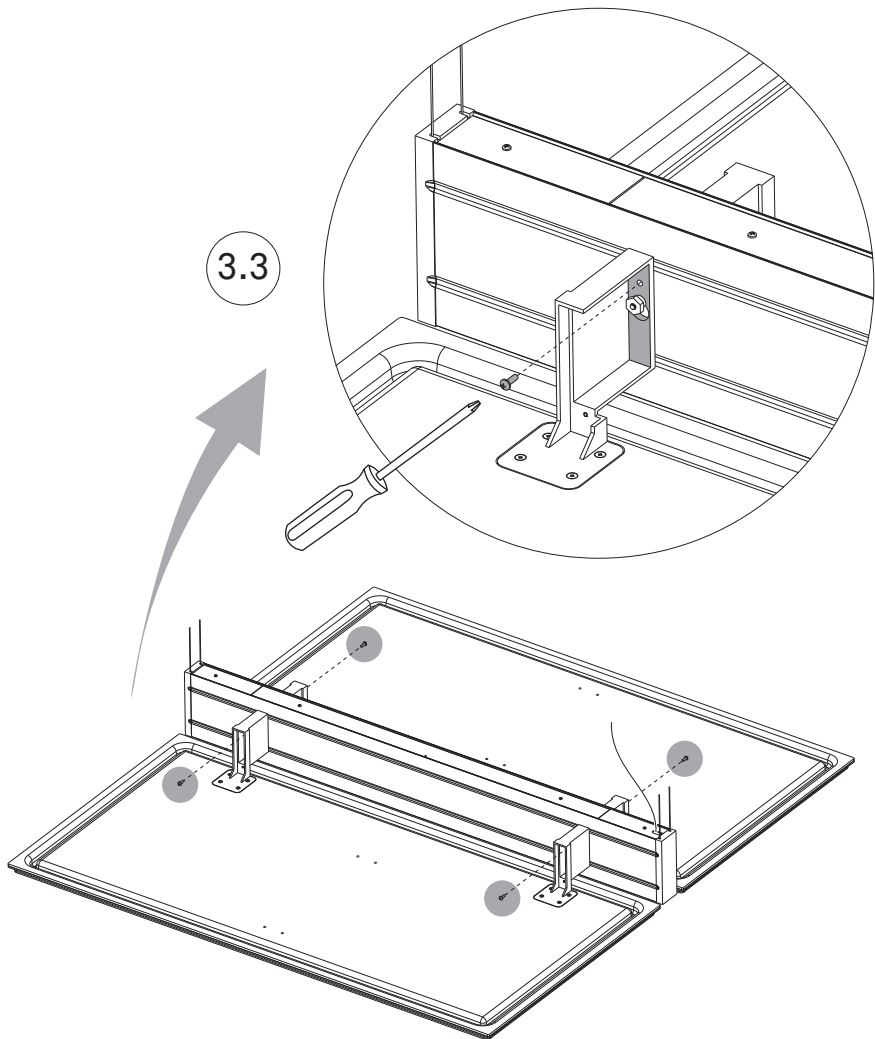


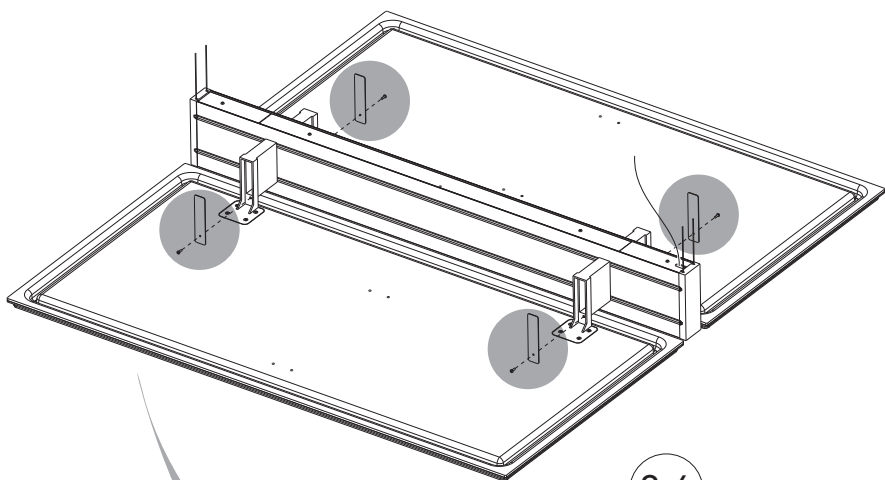




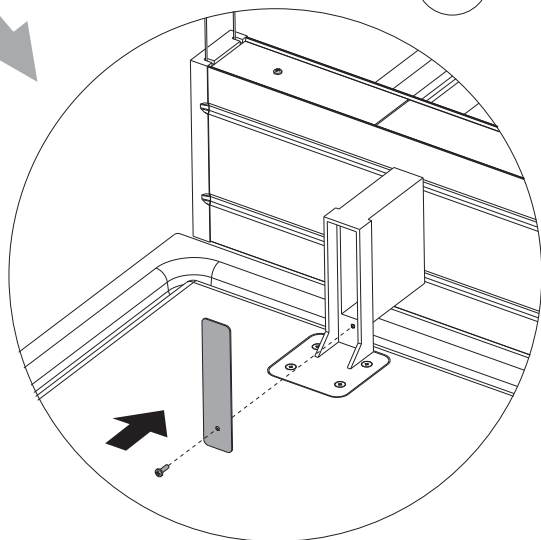
3.2

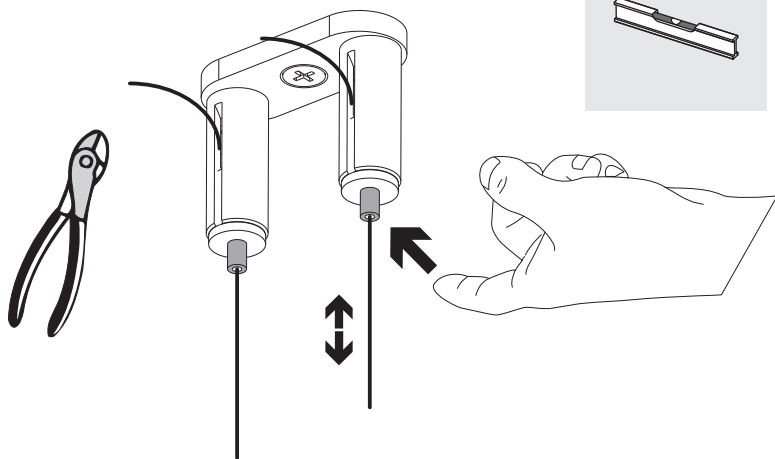
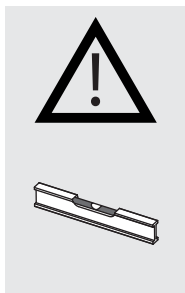
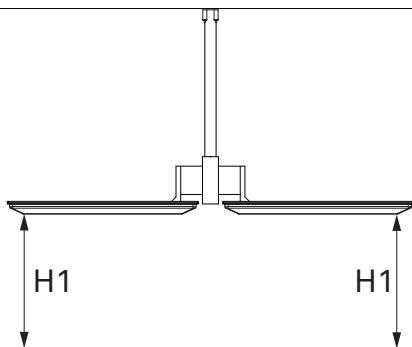
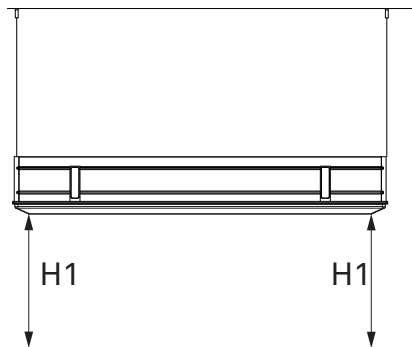


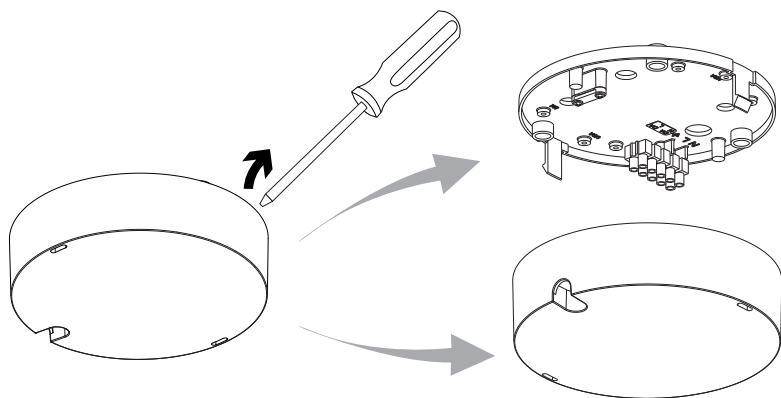
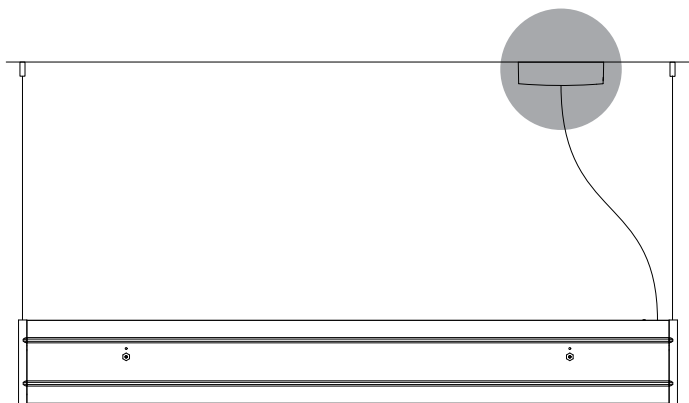


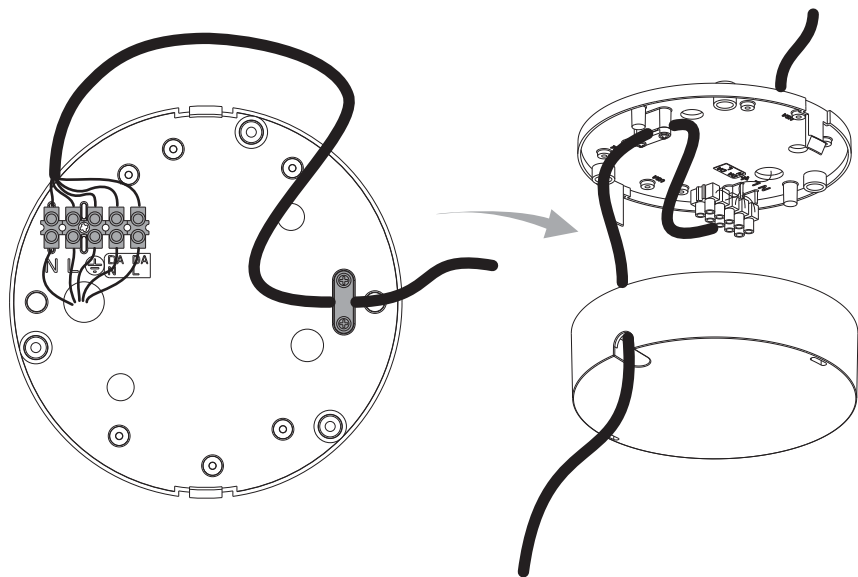
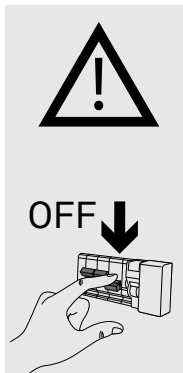
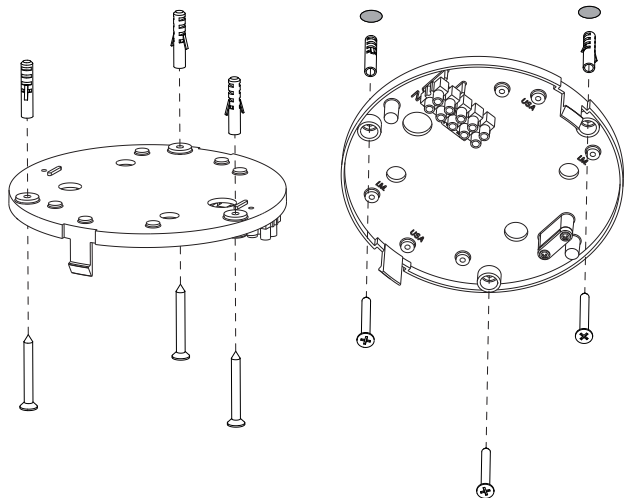


3.4









D93SDDC  
D93SDDL

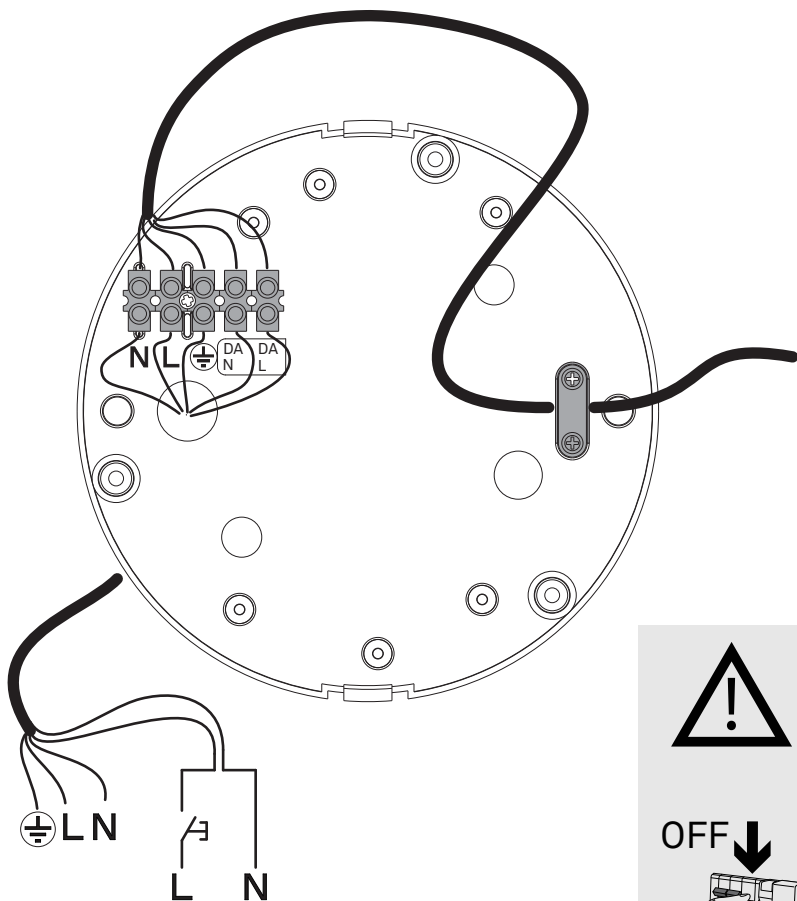
OFF

(0%)



MAX  
(100%)

ON

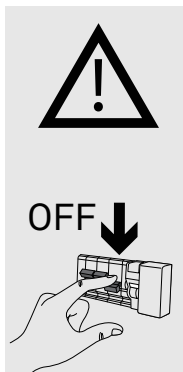
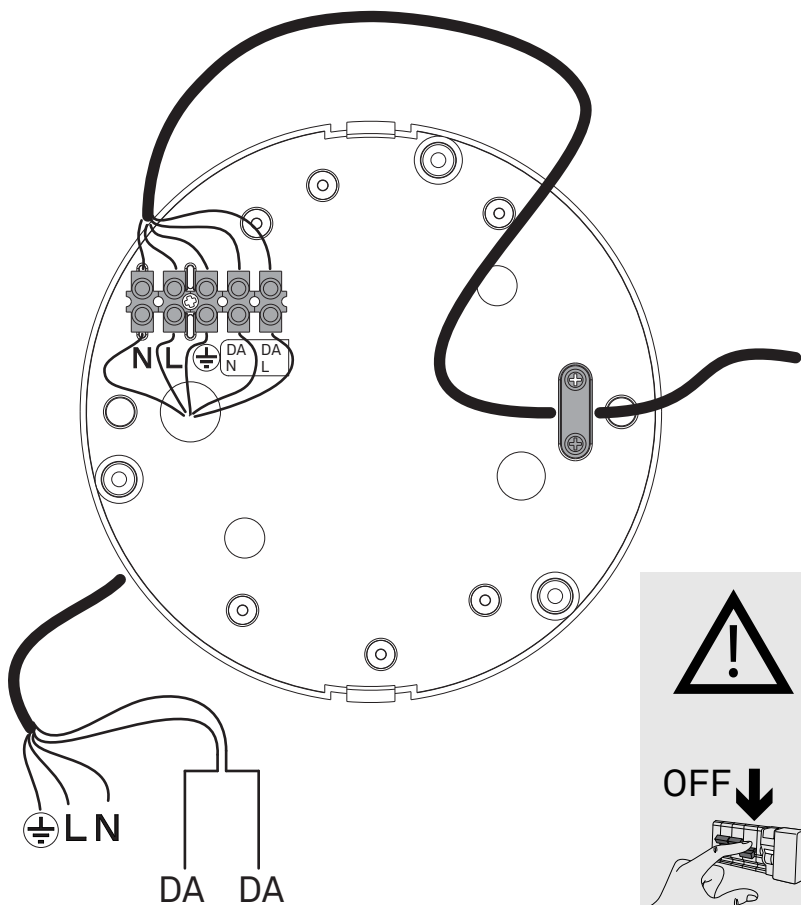


OFF





D93SDDC  
D93SDDL

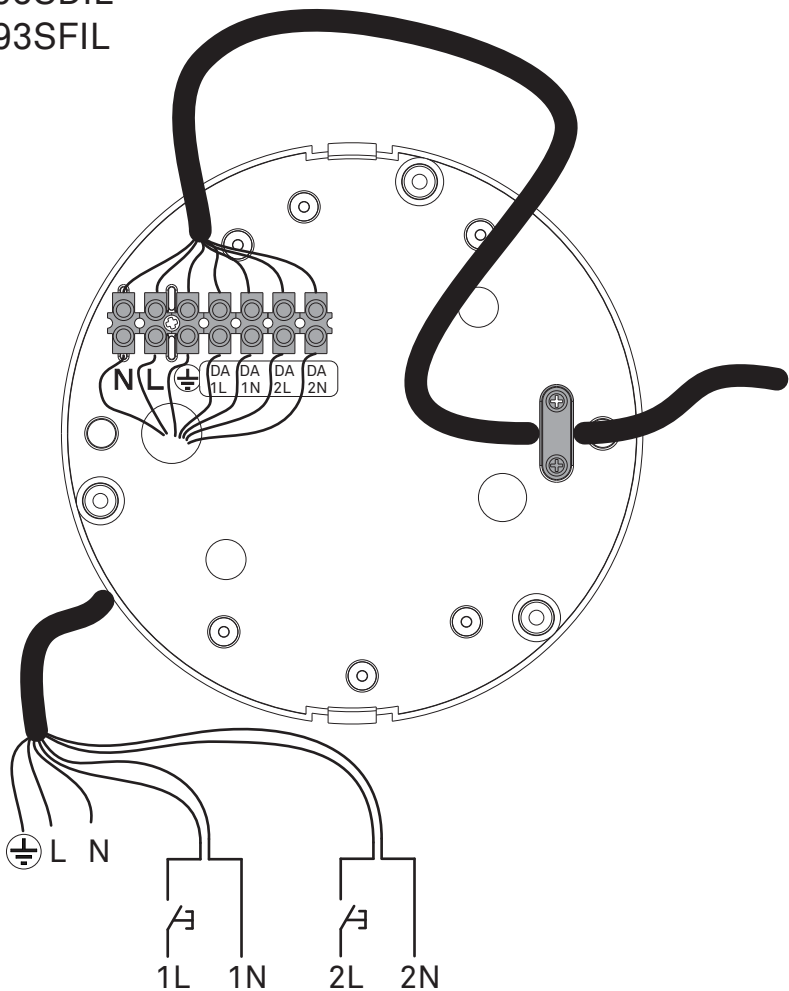


D93SDIC

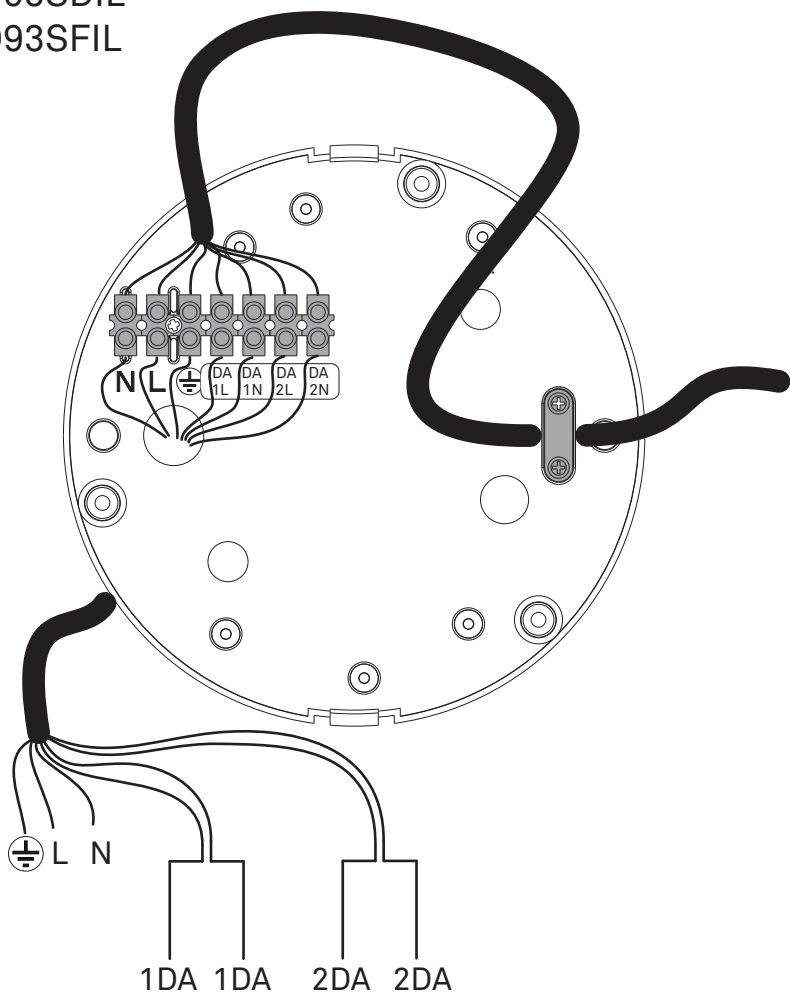
D93SFIC

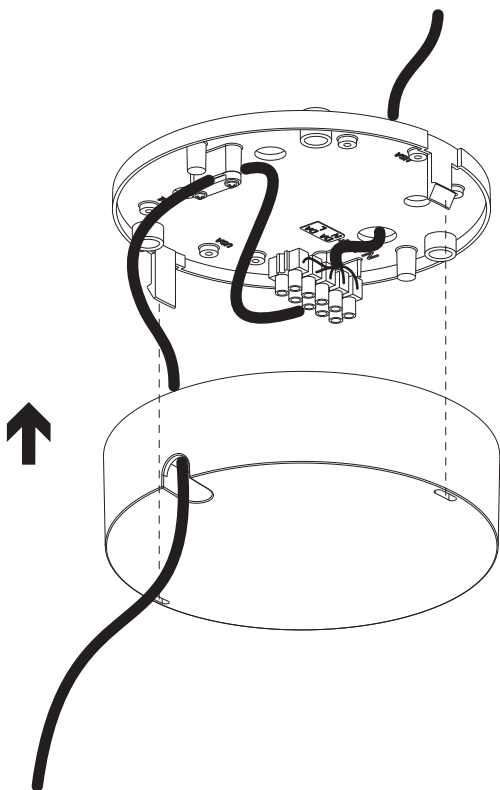
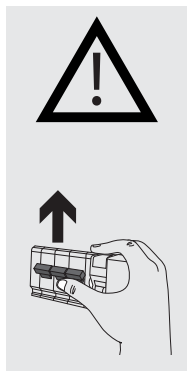
D93SDIL

D93SFIL



D93SDIC  
D93SFIC  
D93SDIL  
D93SFIL













[www.luceplan.com](http://www.luceplan.com)

D930IC001